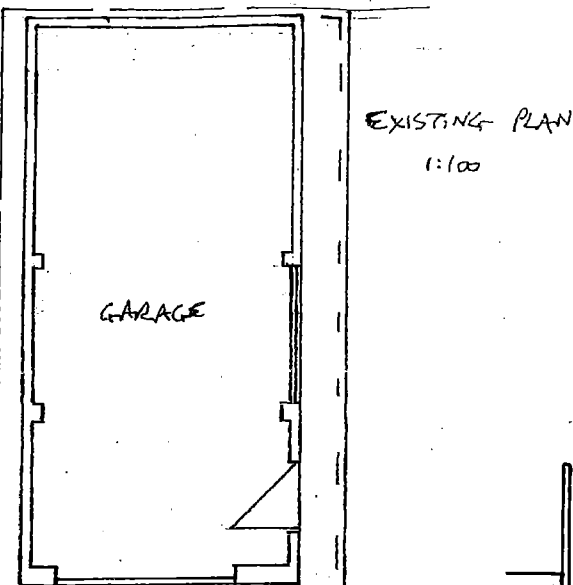
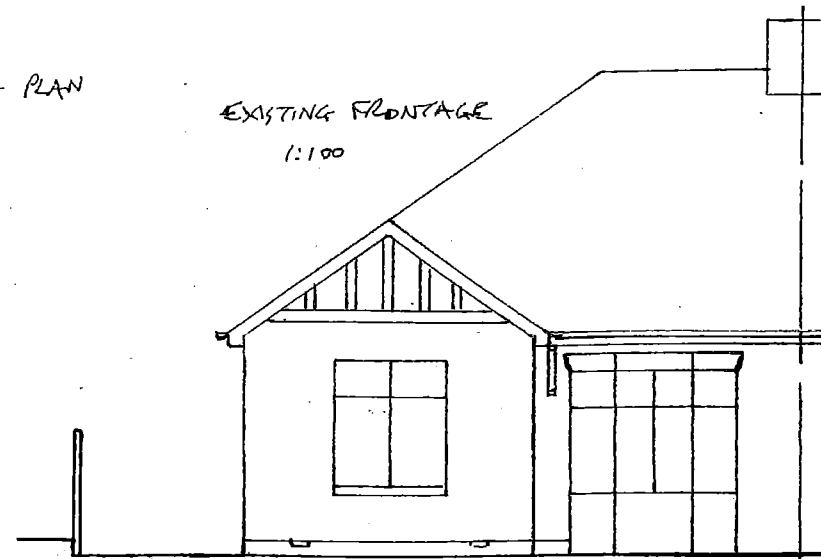


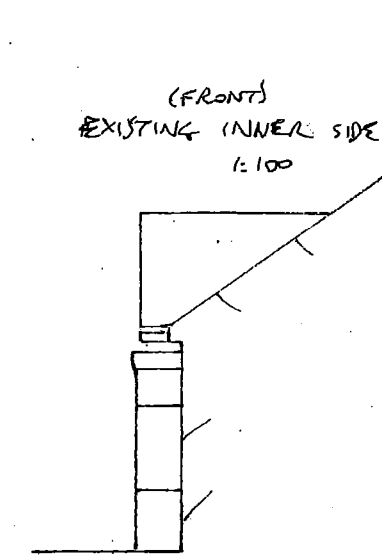
EXISTING REAR 1:100



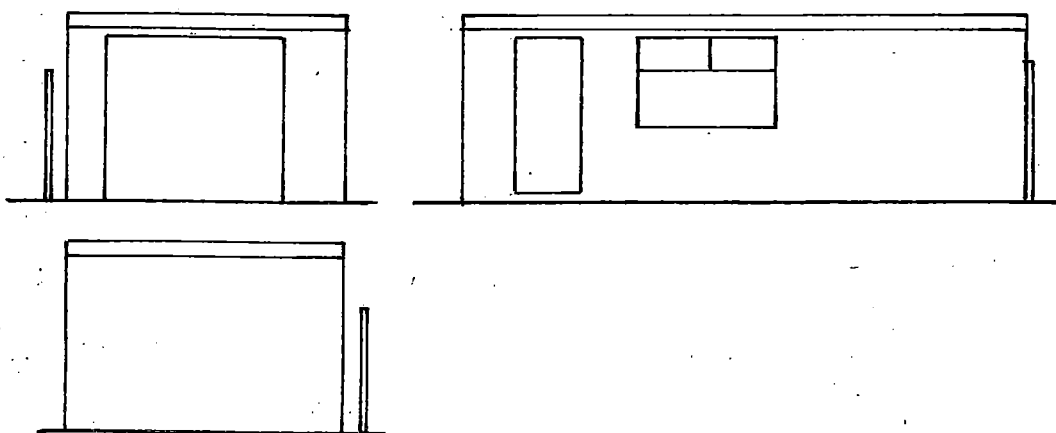
EXISTING PLAN 1:100



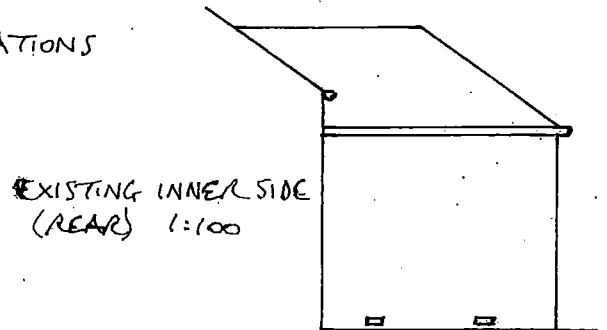
EXISTING FRONTAGE 1:100



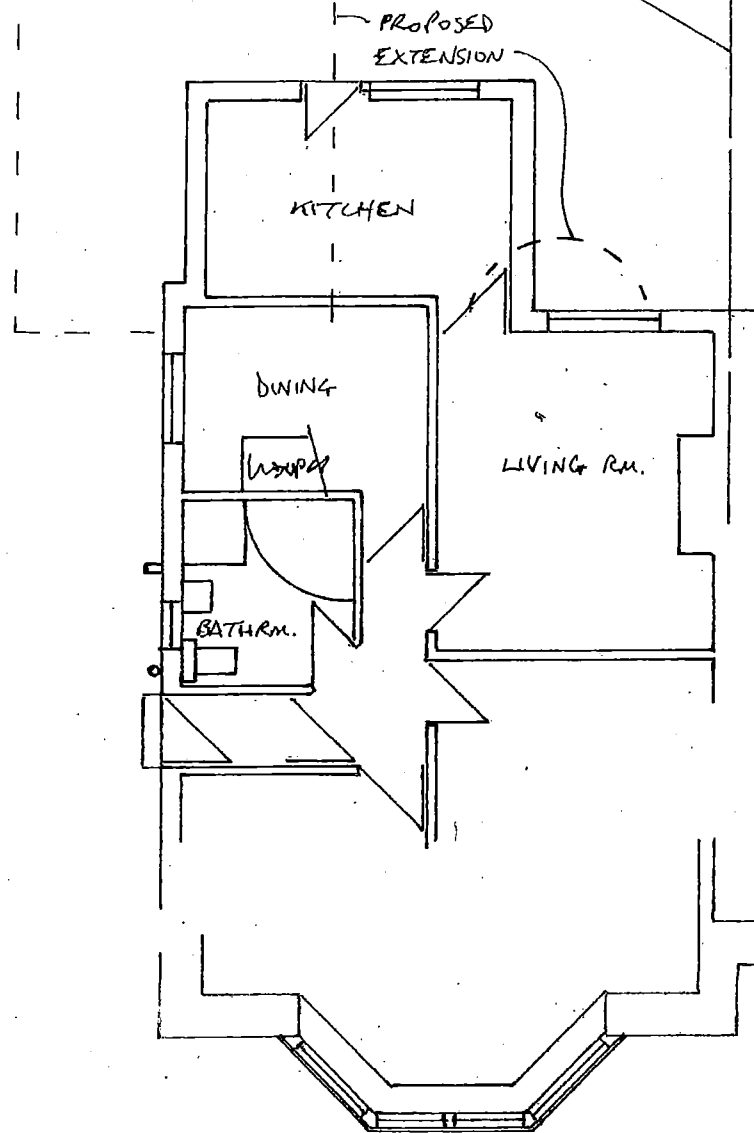
(FRONT) EXISTING INNER SIDE 1:100



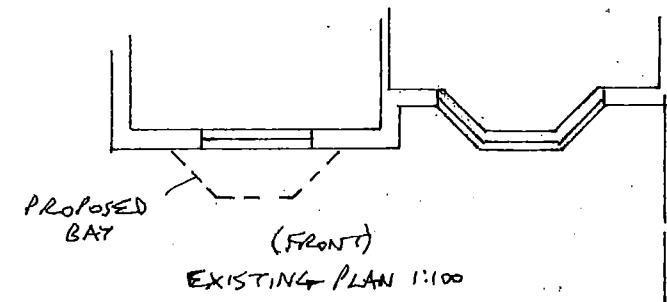
EXISTING GARAGE ELEVATIONS 1:100



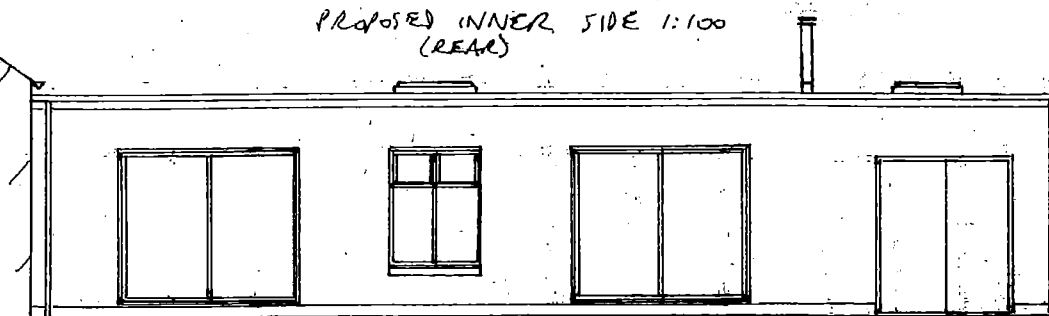
EXISTING INNER SIDE (REAR) 1:100



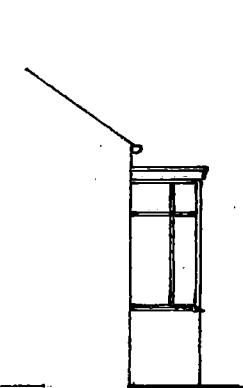
PROPOSED PLAN 1:50 (FRONT BAY)



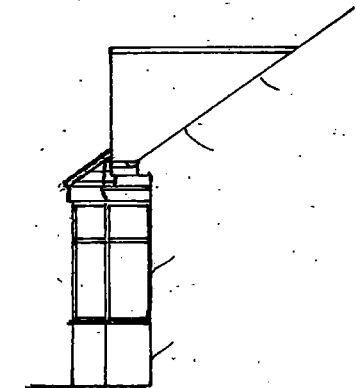
PROPOSED BAY (FRONT) EXISTING PLAN 1:100



PROPOSED INNER SIDE 1:100 (REAR)



PROPOSED SIDE 1:100 (REAR BAY)



PROPOSED INNER SIDE 1:100 (FRONT)

PROPOSED EXTENSION TO 18 CENTRAL GARDENS, S. SHIELDS FOR J. WOODHOUSE DRG NO 0789/4559/915

REV. A - J.M. MAXTM HT 2/5/16
 B - LEVELS 5/5/16